



STRETCH WRAPPER
MODEL: CSA 211/212

CSA 211/212 Advance Smart Technology

Compact, high performance rotating arm machine for wrapping pallets with stretch film. Reliable, robust construction.

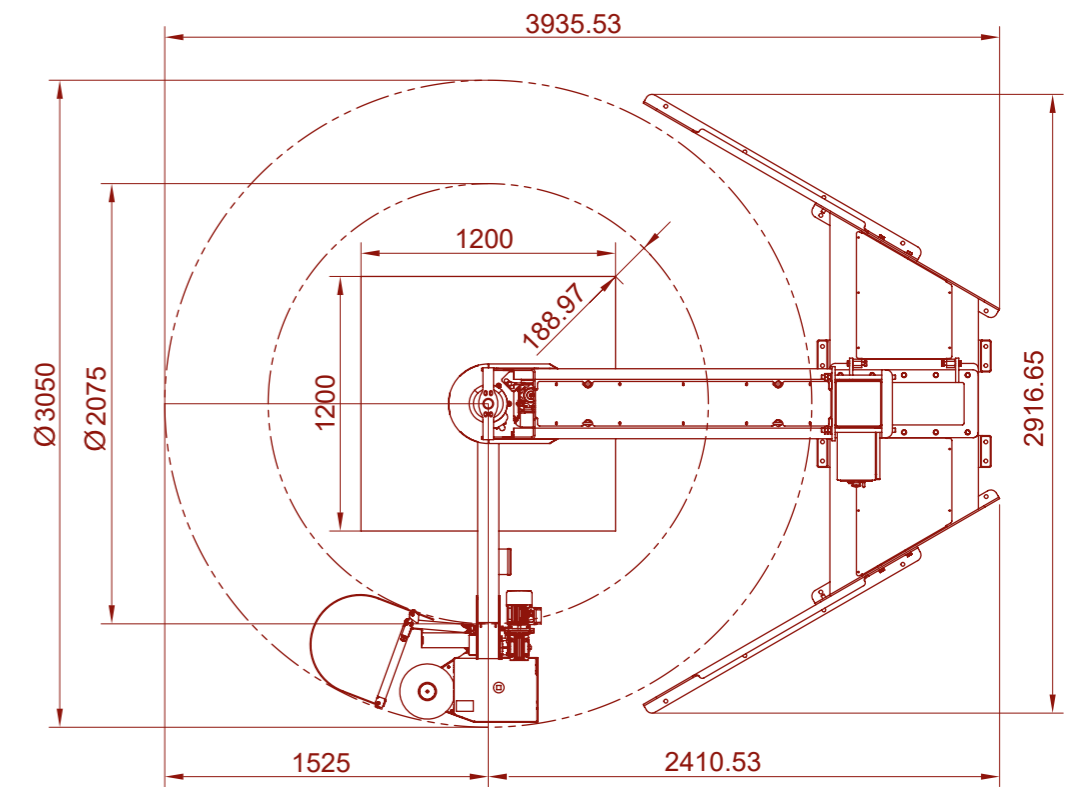
- Optionals
- Acid protection.
 - Mast for loads up to 3000 mm high.
 - Film weight check.
 - Pallet holder presser.
 - Wall fastening.
 - Roping system.

Technical Characteristics

| | |
|--|----------------------------|
| Total power installed | min. 1.2 Kw - max. 2.2 Kw |
| Standard power supply | 230V mono-phase-50/60Hz-6A |
| Protection on electric system & motors | IP 54 |
| Operating pressure (with top pressure) | 6 bar |
| Max pallet dimensions | 1000 x 1200 mm |
| Max pallet height | 2100 mm |
| Production capacity per h | Up to 20 |



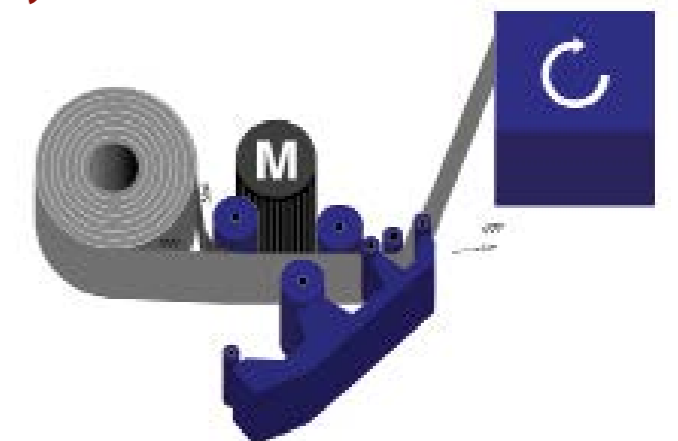
Version 211: Electromagnetic friction adjustable from control panel.



Control panel 99 programs easy-to-use.

Save your Money

Version 212: Motorized pre-stretch system with 3 driven rollers electronically controlled with interchangeable ratios: 150 - 200 - 250%.



WWW.CYKLOP.NL
+31 384675800

CYKLOP Nederland BV
Benjamin Franklinstraat 5
8013 NC Zwolle
info@cyklop.nl

